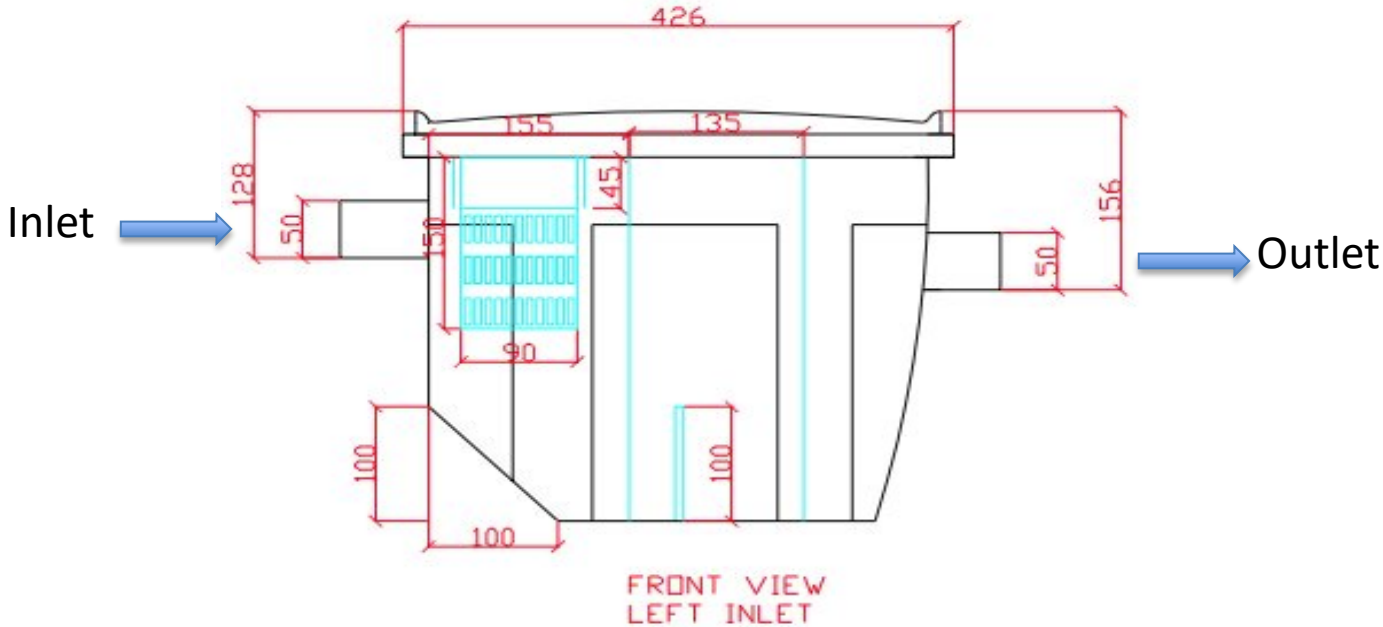




Model : FB Junior series –  
Technical Data Sheet (Page 1)

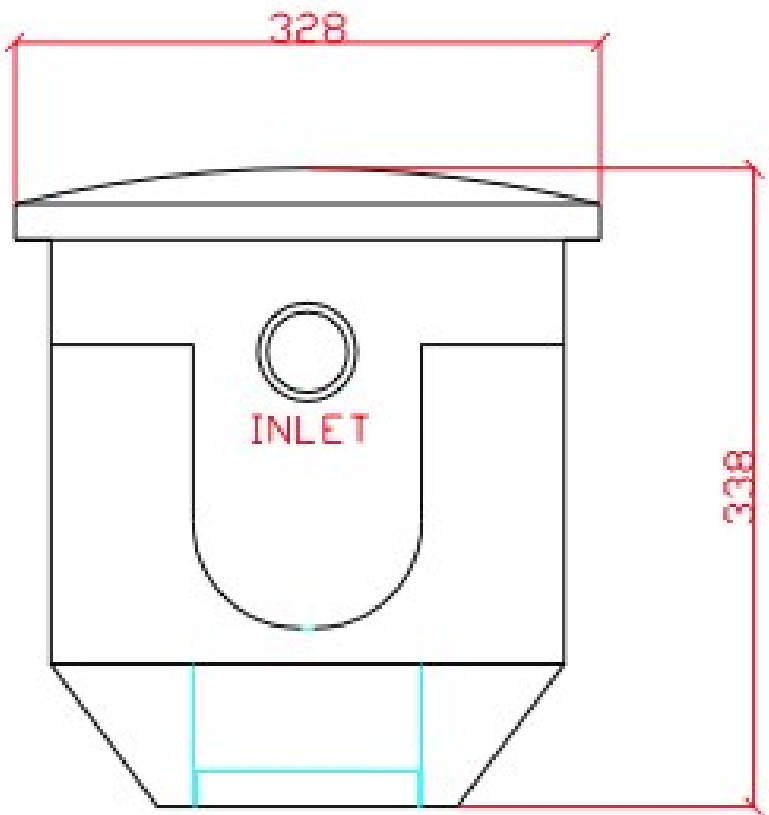


Casing : Poly propylene  
Color : Ash (smooth finishing)  
Weight: 2kg  
Inlet/Outlet : 50mm

Grease retention capacity: 3.6kg  
Flow rate: 1liter/s  
Basket capacity: 850ml  
Other features: Airtight lid

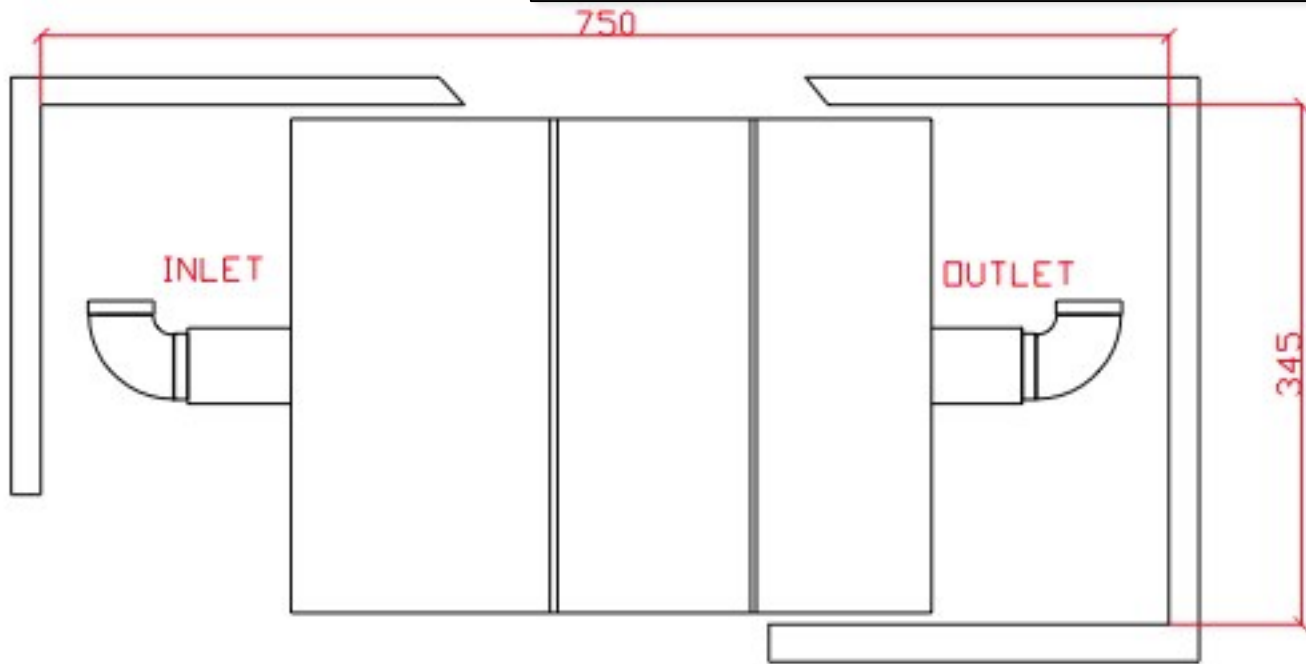


Model : FB Junior series –  
Technical Data Sheet (Page 2)



INLET FRONT  
VIEW

Tank Pump Out Frequency : 5 - 15days  
Oil Removal Frequency: 1 -3 days  
Inlet/Outlet : 50mm



RECOMMENDED FOOTPRINT DIMENSIONS WHEN INSTALLED

Minimum of 750mm length x 345 width of footprint is required

Can be reduced to 580mm length with the use of PT elbow

Headroom clearance of 170mm is required for strainer basket removal