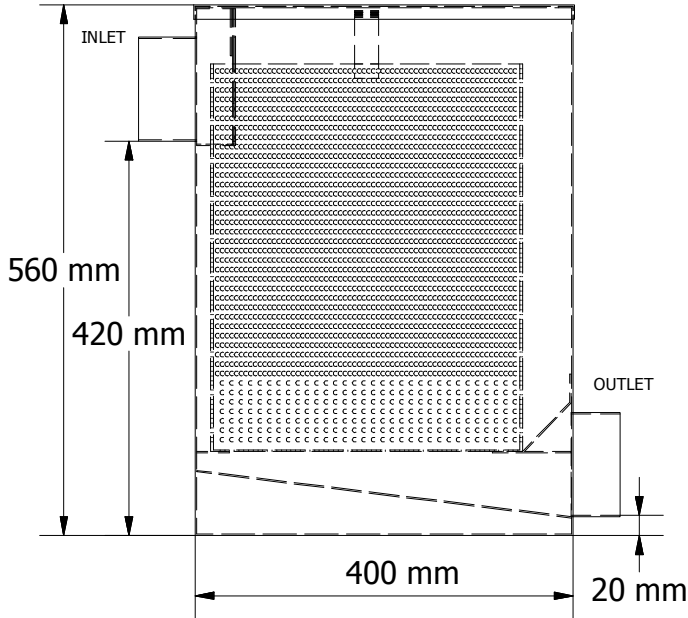
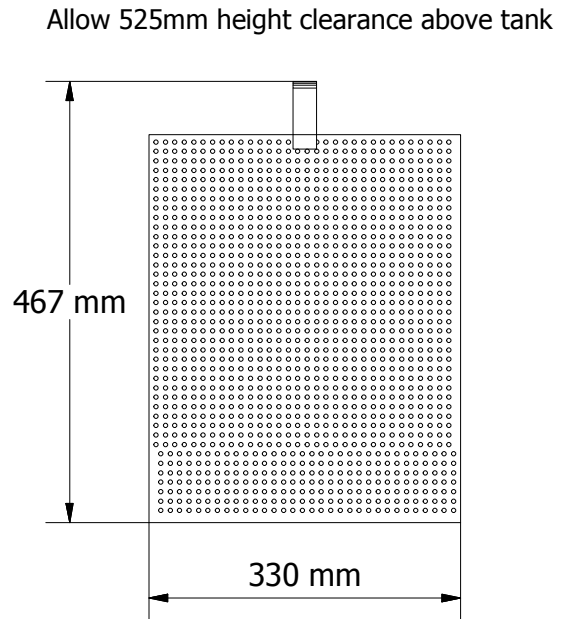


## SIDE PROFILE

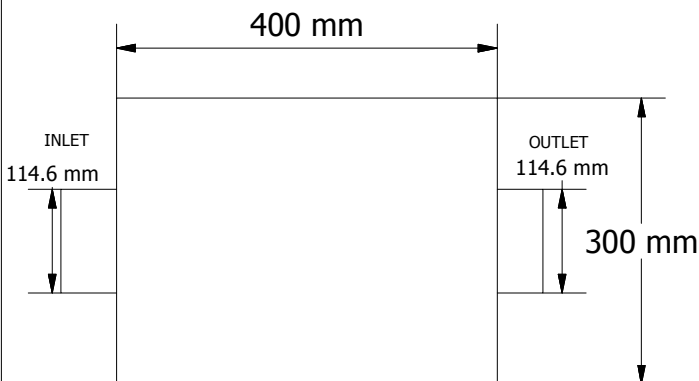


Outlet is low lying to allow excess water to drain from basket reducing basket weight and ensuring ease of removal

## SIDE PROFILE - STRAINER BASKET REMOVED



## TOP VIEW



### INSTALLATION ADVICE

ST23 SYSTEM SHOULD BE CONNECTED TO SINK WASTE PIPES DN 100 USING RUBBER COUPLINGS AS PROVIDED. CONNECTION TO DN 50 OR DN 80 PIPES IS OPTIONAL BY REQUESTING ALTERNATIVE COUPLERS TO SUIT FROM FM ENVIRONMENTAL.

ENSURE CLEARANCE OF 467MM IS PROVIDED FOR REMOVAL OF INTERNAL STRAINER BASKET.

ENSURE A GRAVITY FALL OF 1:100 IS MAINTAINED MINIMALLY BEFORE INLET AND AFTER OUTLET OF THIS SYSTEM. DUE TO ITS LOW OUTLET POSITION ST23 SHOULD BE ELEVATED TO ENSURE OUTLET FALL IS OBTAINED

ST 23 IS SUITABLE FOR CONNECTION UPSTREAM OF GREASE GUARDIAN MODELS D4 & D5. A SUPPORT FRAME IS AVAILABLE ON REQUEST TO RAISE ST23 UNIT IN LINE WITH GREASE GUARDIAN INLETS.

**NOTE: A HIGHER LEVEL POSITION OUTLET IS OPTIONAL FOR THIS SYSTEM ON REQUEST**

### MAINTENANCE NOTES:

#### FOOD WASTE STRAINER BASKET

STEEL BASKET IS BE REMOVED WHEN 3/4 FULL. REMOVE LID. LIFT OUT BASKET AND DISPOSE OF CONTENTS TO FOOD BIN. BEFORE REPLACING BASKET ENSURE BASKET PERFORATIONS ARE CLEAR BY SPRAY CLEANING EXTERIOR SIDE OF MESH.

### PRODUCT CHARACTERISTICS

	TANK	METAL STRAINER
MATERIAL	STAINLESS STEEL, 304, 16 GAUGE	STAINLESS STEEL; 3MM PERFORATIONS
VOLUME	-	23 KG